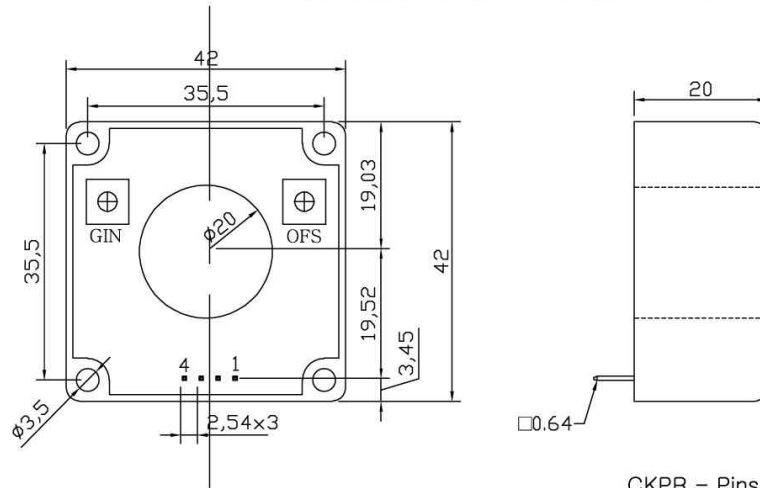


## CKPR-TYPE DIMENSIONS ( in mm )



CKPR - Pins  
 1 : VCC (+5V)  
 2 : N.C  
 3 : GND (0V)  
 4 : OUTPUT

[Ta=25°C]

| Type-code                             |        | CKPR500-02S05-2.5                                               |
|---------------------------------------|--------|-----------------------------------------------------------------|
| Parameter                             | Symbol |                                                                 |
| Rated Current (F.S.)                  | If     | 500A                                                            |
| Output Voltage                        | Vh     | Ref.2.5[V]±0.2V±1% at If                                        |
| Zero Current Offset                   | Vo     | Ref.2.5[V], Within ±20mV at If = 0                              |
| Linearity of Output                   | ρ      | Within ±1.5% of Vh at If : F.S.                                 |
| Supply Voltage                        | Vc     | +05V                                                            |
| Vh - Response Time                    | Tr     | 15μsec Max. at di/dt = F.S./μsec                                |
| Frequency Range                       | f      | DC ~ 10KHz                                                      |
| Output Voltage Temperature Coef.      |        | Within ±0.1% / °C Max.                                          |
| Zero Offset Voltage Temperature Coef. |        | Within ±1.0mV / °C Max.                                         |
| Dielectric Strength                   |        | 2.5KV AC with 60MHz × 1minute<br>관통부 내측-신호핀 간                   |
| Insulation Resistance                 |        | 500[MΩ]Min. at 500V DC 관통부 내측-신호핀 간                             |
| Operating Temp.                       | Ta     | -20 ~ +80°C                                                     |
| Storage Temp.                         | Ts     | -40 ~ +85°C                                                     |
| Note                                  |        | <b>CKPR PINOUT</b><br><b>(1) +05V (2) N.C (3) 0V (4) OUTPUT</b> |