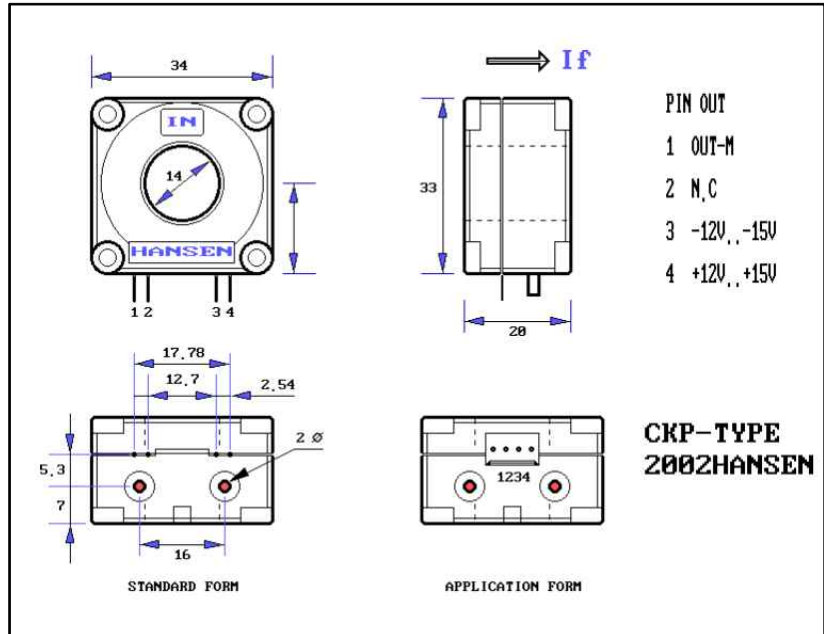


■ PRODUCT CHARACTER



PCB장착용으로 미려한 디자인과 14mm 구경을 갖춘 Closed Loop - Type 전용 모델로 MOLEX社 콘넥터 5045-04A를 삽입하여 Panel 및 기타 치구에 장착 가능하게 설계된 제품.

■ DIMENSIONS (mm)

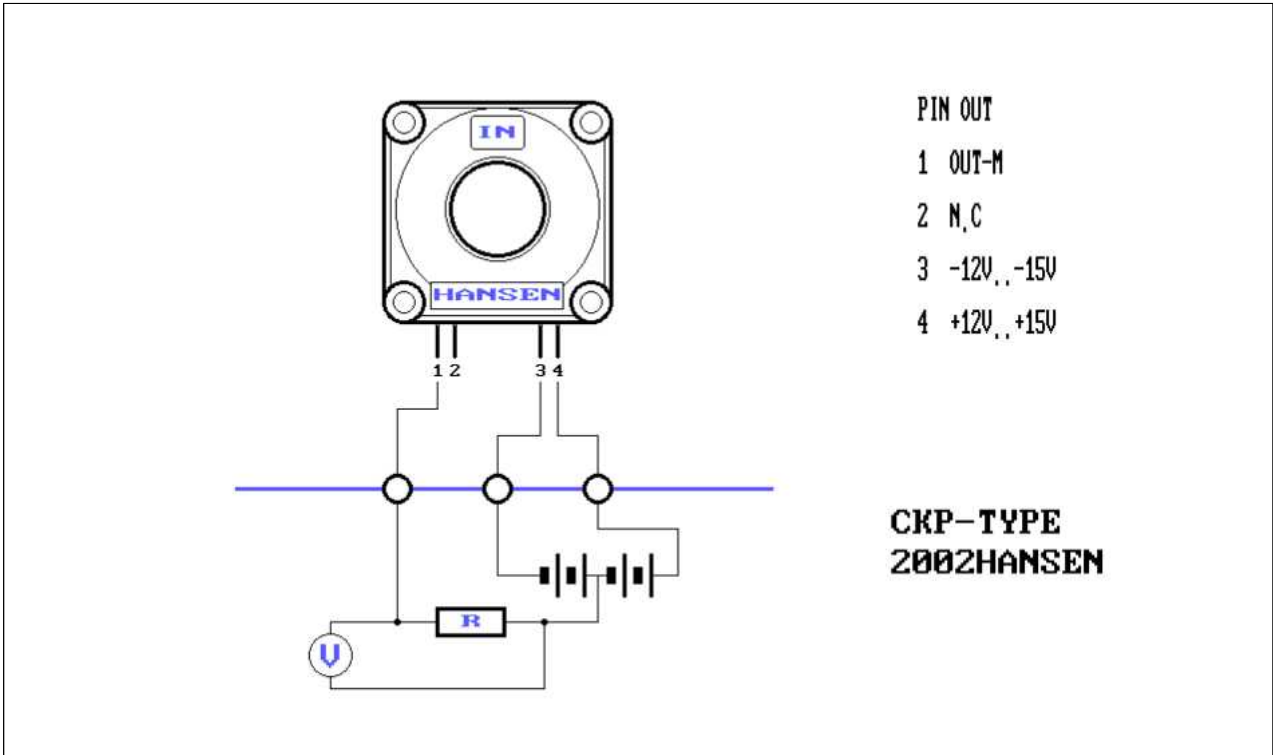


■ CKP-TYPE STANDARD SPEC

[Ta=25℃]

Type-code		CKP050-15	CKP100-15
Parameter	Symbol		
Rated Current (F.S.)	If	050A	100A
Linear Range		090A	150A
Output Current	Ih	±50mA at If	±50mA at If
Turn Ratio		1 : 1000	1 : 2000
Zero Current Offset	Io	Within ±0.2mA at If = 0	
Linearity of Output	ρ	Within ±0.5% of Vh at If : F.S.	
Supply Voltage	Vc	±15V ±5%	
Frequency Range	f	DC ~ AC100KHz and 200KHz Max.	
Measuring Resistance	Rm	50~100[ohm]	
Thermal drift of offset current	lot	Within ±0.4mA	
Dielectric Strength		2.5KV AC with 60Hz × 1minute 관통부 내측-신호핀 간	
Insulation Resistance		500[MΩ]Min. at 500V DC 관통부 내측-신호핀 간	
Operating Temp.	Ta	-20 ~ +80℃	
Storage Temp.	Ts	-40 ~ +85℃	
Note		<p style="text-align: center;">CKP PINOUT                      (1) OUT-M (2) N.C (3) -V (4) +V                      CONNECTOR : 2.54mm St. PIN or Molex 社, 5045-05A</p>	

■ CKP-circuit example



< MEMO >