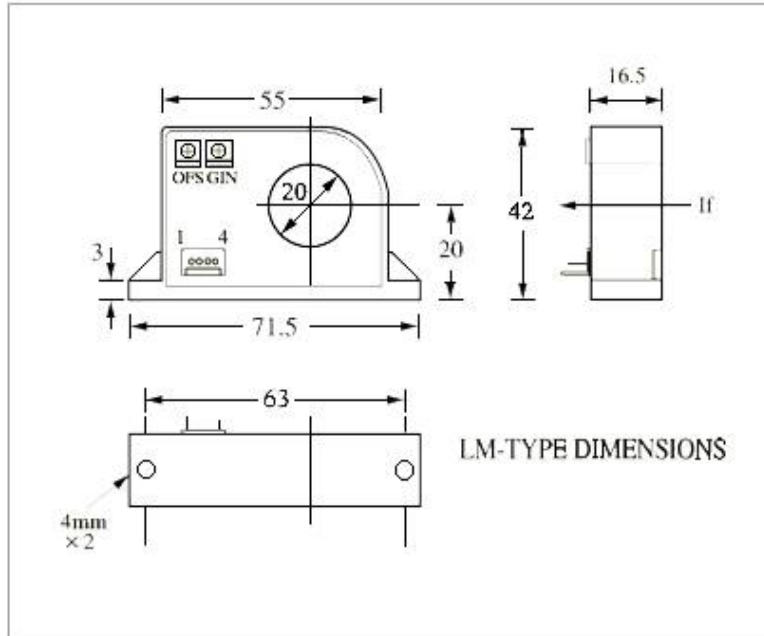


■ PRODUCT CHARACTER

■ DIMENSIONS(in mm)



PANEL장착용으로 내 구경의 높이가 바닥에서 구경 중심까지 20mm로 낮게 설계된 제품이며, 넓은 적용범위와 우수한 품질특성을 지닌 제품.



■ LMA-TYPE STANDARD SPEC

[Ta=25℃,RL=10KΩ]

| Type-code | | LMA040 | LMA050 | LMA100 | LMA150 | LMA200 | LMA300 | LMA400 |
|---------------------------------------|--------|---|--------|--------|--------|--------|--------|--------|
| Parameter | Symbol | | | | | | | |
| Rated Current (F.S.) | If | 040A | 050A | 100A | 150A | 200A | 300A | 400A |
| Linear Range | | 080A | 100A | 200A | 300A | 400A | 600A | 800A |
| Output Voltage | Vh | ±04V±1% at If | | | | | | |
| Zero Current Offset | Vo | Within ±20mV at If = 0 | | | | | | |
| Linearity of Output | ρ | Within ±1.0% of Vh at If : F.S. | | | | | | |
| Supply Voltage | Vc | ±12V or ±15V ±5% | | | | | | |
| Response Time | Tr | 5μsec Max. at di/dt = F.S./μsec | | | | | | |
| Frequency Range | f | DC ~ AC20KHz and 30KHz Max. | | | | | | |
| Output Voltage Temperature Coef. | | Within ±0.1% / °C Max. | | | | | | |
| Zero Offset Voltage Temperature Coef. | | Within ±1.0mV / °C Max. | | | | | | |
| Dielectric Strength | | 2.5KV AC with 60Hz × 1minute 관통부 내측-신호핀 간 | | | | | | |
| Insulation Resistance | | 500[MΩ]Min. at 500V DC 관통부 내측-신호핀 간 | | | | | | |
| Operating Temp. | Ta | -10 ~ +80℃ | | | | | | |
| Storage Temp. | Ts | -25 ~ +85℃ | | | | | | |
| Note | | <p style="text-align: center;">LMA PINOUT (1)+V (2)0V (3)-V (4)OUTPUT CONNECTOR : Molex 社, 5045-04A</p> | | | | | | |

■ LMS-TYPE STANDARD SPEC
[Ta=25℃,RL=10KΩ]

| Type-code | | LMS040 | LMS050 | LMS100 | LMS150 | LMS200 | LMS300 |
|---------------------------------------|--------|---|--------|--------|--------|--------|--------|
| Parameter | Symbol | | | | | | |
| Rated Current (F.S.) | If | 40A | 50A | 100A | 150A | 200A | 300A |
| Linear Range | | 80A | 100A | 200A | 300A | 400A | 600A |
| Output Voltage | Vh | +04V±1% at If | | | | | |
| Zero Current Offset | Vo | NO OUTPUT +50mV at If | | | | | |
| Linearity of Output | ρ | Within ±1.5% of Vh at If : F.S. | | | | | |
| Supply Voltage | Vc | +12V or +15V ±5% | | | | | |
| Response Time | Tr | 20μsec Max. at di/dt = F.S./μsec | | | | | |
| Frequency Range | f | DC ~ AC10KHz and 25KHz Max. | | | | | |
| Output Voltage Temperature Coef. | | Within ±0.1% / °C Max. | | | | | |
| Zero Offset Voltage Temperature Coef. | | Within ±1.0mV / °C Max. | | | | | |
| Dielectric Strength | | 2.5KV AC with 60Hz × 1minute 관통부 내측-신호핀 간 | | | | | |
| Insulation Resistance | | 500[MΩ]Min. at 500V DC 관통부 내측-신호핀 간 | | | | | |
| Operating Temp. | Ta | -10 ~ +80℃ | | | | | |
| Storage Temp. | Ts | -25 ~ +85℃ | | | | | |
| Note | | LMS PINOUT (1) +V (2) 0V (3) 0V (4) OUT Connector : Molex 5045-04A | | | | | |

■ LMD-TYPE STANDARD SPEC
[Ta=25℃,RL=10KΩ]

| Type-code | | LMD040 | LMD050 | LMD080 | LMD100 | LMD120 | LMD150 | LMD200 |
|---------------------------------------|--------|---|--------|--------|--------|--------|--------|--------|
| Parameter | Symbol | | | | | | | |
| Rated Current (F.S.) | If | 040A | 050A | 080A | 100A | 120A | 150A | 200A |
| Linear Range | | 060A | 075A | 120A | 150A | 180A | 225A | 300A |
| Output Voltage | Vh | ±04V±1% at If | | | | | | |
| Absolute Output Voltage | Vab | ab04V±1% at Vh | | | | | | |
| Zero Current Offset | Vo | Within ±20mV at If = 0 | | | | | | |
| Linearity of Output | ρ | Within ±1.0% of Vh at If : F.S. | | | | | | |
| Supply Voltage | Vc | ±12V or ±15V ±5% | | | | | | |
| Vh - Response Time | Tr | 7μsec Max. at di/dt = F.S./μsec | | | | | | |
| Vab - Response Time | | 25μsec Max. at di/dt = F.S./μsec and non capacity | | | | | | |
| Frequency Range | f | DC ~ AC5KHz and 25KHz Max. | | | | | | |
| Output Voltage Temperature Coef. | | Within ±0.1% / °C Max. | | | | | | |
| Zero Offset Voltage Temperature Coef. | | Within ±1.0mV / °C Max. | | | | | | |
| Dielectric Strength | | 2.5KV AC with 60Hz × 1minute 관통부 내측-신호핀 간 | | | | | | |
| Insulation Resistance | | 500[MΩ]Min. at 500V DC 관통부 내측-신호핀 간 | | | | | | |
| Operating Temp. | Ta | -10 ~ +80℃ | | | | | | |
| Storage Temp. | Ts | -25 ~ +85℃ | | | | | | |
| Note | | LMD PINOUT (1)+V (2)0V (3)-V (4)A'-OUT (5)D'-OUT CONNECTOR : Molex 社, 5045-05A | | | | | | |