

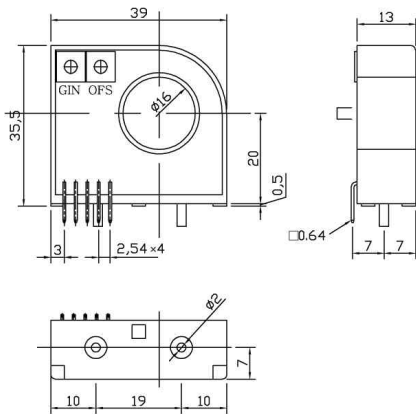
■ PRODUCT CHARACTER

■ DIMENSIONS

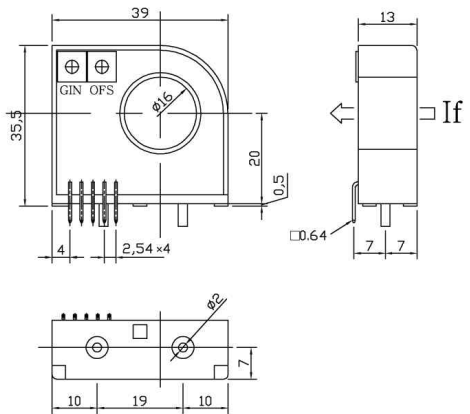


PCB삽입용으로 소, 중전류 측정에 적합하며 장비의 양산시스템에 적합한 사양으로 경제적인 가격에 대비하여 우수한 품질 특성을 지닌 제품.

PL1-DIMENSIONS



PL2-DIMENSIONS



■ PL1A, PL2A-TYPE STANDARD SPEC

[Ta=25°C, RL=10KΩ]

Type-code		PL1A030	PL1A040	PL1A050	PL1A080	PL1A100	PL1A150	PL1A200	
Parameter	Symbol								
Rated Current (F.S.)	If	030A	040A	050A	080A	100A	150A	200A	
Linear Range		060A	080A	100A	160A	200A	300A	400A	
Output Voltage	Vh	±0.4V±1% at If							
Zero Current Offset	Vo	Within ±30mV at If = 0			Within ±20mV at If = 0				
Linearity of Output	ρ	Within ±1.0% of Vh at If : F.S.							
Supply Voltage	Vc	±12V or ±15V ±5%							
Response Time	Tr	5μsec Max. at di/dt = F.S./μsec							
Frequency Range	f	DC ~ AC25KHz and 50KHz Max.							
Output Voltage Temperature Coef.		Within ±0.1% / °C Max.							
Zero Offset Voltage Temperature Coef.		Within ±1.0mV/ °C Max.							
Dielectric Strength		2.5KV AC with 60Hz × 1minute 관통부 내측-신호핀 간							
Insulation Resistance		500[MΩ]Min. at 500V DC 관통부 내측-신호핀 간							
Operating Temp.	Ta	-10 ~ +80 °C							
Storage Temp.	Ts	-25 ~ +85 °C							
Note		<b>PL1A PINOUT</b> (1) N.C (2) +[V] (3) 0[V] (4) -[V] (5) OUTPUT CONNECTOR : 2.54mm 5P St. PIN				<b>PL2A PINOUT</b> (1) N.C (2) 0[V] (3) OUTPUT (4) -[V] (5) +[V] CONNECTOR : 2.54mm 5P St. PIN			

■ PL1S,PL2S-TYPE STANDARD SPEC

[Ta=25℃,RL=10KΩ]

Type-code		PL1S 030	PL1S 040	PL1S 050	PL1S 060	PL1S 080	PL1S 100	PL1S 120	PL1S 150	PL1S 200	
Parameter	Symbol										
Rated Current (F.S.)	If	030A	040A	050A	060A	080A	100A	120A	150A	200A	
Linear Range		060A	080A	100A	120A	160A	200A	240A	300A	400A	
Output Voltage	Vh	+04V±1.5% at If									
Zero Current Offset	Vo	NO OUTPUT +50mV at If									
Linearity of Output	ρ	Within ±1.5% of Vh at If : F.S.									
Supply Voltage	Vc	+12V or +15V ±5%									
Response Time	Tr	20μsec Max. at di/dt = F.S./μsec									
Frequency Range	f	DC ~ AC5KHz and 10KHz Max.					DC ~ AC2KHz and 5KHz Max.				
Output Voltage Temperature Coef.		Within ±0.1% / °C Max.									
Zero Offset Voltage Temperature Coef.		Within ±2.0mV / °C Max. and No Signal									
Dielectric Strength		2.5KV AC with 60Hz × 1minute 관통부 내측-신호핀 간									
Insulation Resistance		500[MΩ]Min. at 500V DC 관통부 내측-신호핀 간									
Operating Temp.	Ta	-10 ~ +80℃									
Storage Temp.	Ts	-25 ~ +85℃									
Note		<b>PL1S PINOUT</b> (1) N.C (2) +[V] (3) 0[V] (4) 0V (5) OUTPUT-PIN3,4외부공통접속 CONNECTOR : 2.54mm 5P St. PIN					<b>PL2S PINOUT</b> (1) N.C (2) 0[V] (3) OUTPUT (4) 0[V] (5) +[V]-PIN2,4외부공통접속 CONNECTOR : 2.54mm 5P St. PIN				

< MEMO >