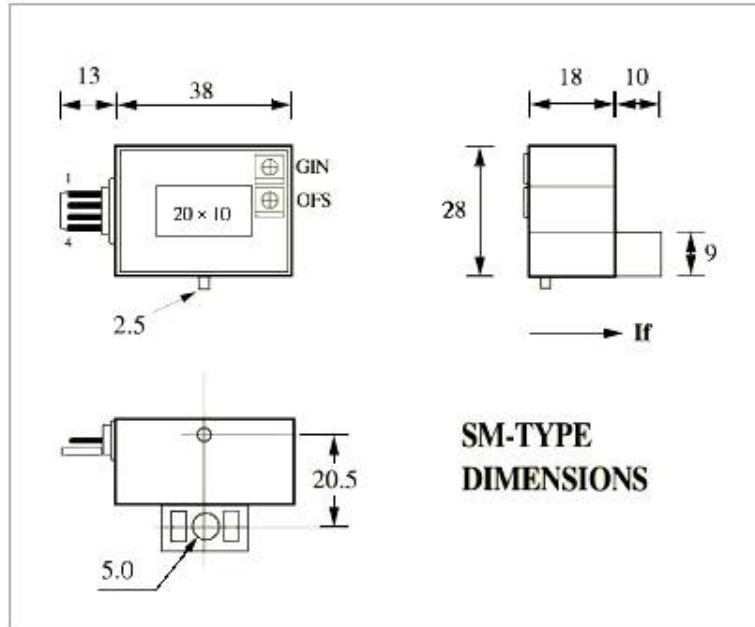


■ PRODUCT CHARACTER



PANEL과 PCB장착을 병용할 수 있게 설계되었으며, 미려한 디자인과 제품 전체 높이가 28mm로 작게 설계되어 공간 적용 효율이 높은 제품.
20mm 부스-바 및 케이블 적용.

■ DIMENSIONS



■ SMA-TYPE STANDARD SPEC

[Ta=25℃,RL=10KΩ]

Type-code		SMA 040	SMA 050	SMA 080	SMA 100	SMA 150	SMA 200	SMA 300	SMA 400	SMA 500
Parameter	Symbol									
Rated Current (F.S.)	If	040A	050A	080A	100A	150A	200A	300A	400A	500A
Linear Range		080A	100A	160A	200A	300A	400A	600A	800A	900A
Output Voltage	Vh	±04V±1% at If								
Zero Current Offset	Vo	Within ±20mV at If = 0				Within ±15mV at If = 0				
Linearity of Output	ρ	Within ±1.0% of Vh at If : F.S.								
Supply Voltage	Vc	±12V or ±15V ±5%								
Response Time	Tr	5μsec Max. at di/dt = F.S./μsec				7μsec Max. at di/dt = F.S./μsec				
Frequency Range	f	DC ~ AC20KHz and 25KHz Max.				DC ~ AC10KHz and 15KHz Max.				
Output Voltage Temperature Coef.		Within ±0.1% / °C Max.								
Zero Offset Voltage Temperature Coef.		Within ±1.0mV / °C Max.								
Dielectric Strength		2.5KV AC with 60Hz × 1minute 관통부 내측-신호핀 간								
Insulation Resistance		500[MΩ]Min. at 500V DC 관통부 내측-신호핀 간								
Operating Temp.	Ta	-10 ~ +80 °C								
Storage Temp.	Ts	-25 ~ +85 °C								
Note		SMA PINOUT (1) +V (2) -V (3) OUTPUT (4) 0V CONNECTOR : Molex 社, 5045-04A								

■ SMS-TYPE STANDARD SPEC

[Ta=25℃,RL=10KΩ]

Type-code		SMS 040	SMS 050	SMS 080	SMS 100	SMS 150	SMS 200	SMS 250	SMS 300	SMS 400	
Parameter	Symbol										
Rated Current (F.S.)	If	040A	050A	080A	100A	150A	200A	250A	300A	400A	
Linear Range		080A	100A	160A	200A	300A	400A	500A	600A	800A	
Output Voltage	Vh	+04V±1% at If									
Zero Current Offset	Vo	NO OUTPUT +50mV at If									
Linearity of Output	ρ	Within ±1.5% of Vh at If : F.S.									
Supply Voltage	Vc	+12V or +15V ±5%									
Response Time	Tr	20μsec Max. at di/dt = F.S./μsec				20μsec Max. at di/dt = F.S./μsec					
Frequency Range	f	DC ~ AC10KHz and 15KHz Max.				DC ~ AC5KHz and 10KHz Max.					
Output Voltage Temperature Coef.		Within ±0.1% / °C Max.									
Zero Offset Voltage Temperature Coef.		Within ±1.0mV / °C Max.									
Dielectric Strength		2.5KV AC with 60Hz × 1minute 관통부 내측-신호핀 간									
Insulation Resistance		500[MΩ]Min. at 500V DC 관통부 내측-신호핀 간									
Operating Temp.	Ta	-10 ~ +80℃									
Storage Temp.	Ts	-25 ~ +85℃									
Note		<p style="text-align: center;">SMS PINOUT (1) +V (2) 0V (3) OUTPUT (4) 0V CONNECTOR : Molex 社, 5045-04A</p>									

< MEMO >